

PLEASE CHECK WWW.MOLEX.COM FOR LATEST PART INFORMATION

Part Number: [0350539002](#)
Status: **Active**
Description: 2.50mm (.098") Pitch Wire-to-Wire Terminal, Male, 22-28 AWG (0.33-0.81mm²), Tin-plated, Reel, for 35184 Housing

Documents:

[Drawing \(PDF\)](#) [Product Specification PS-35531-001 \(PDF\)](#)
[Product Specification PS-35053-001 \(PDF\)](#) [RoHS Certificate of Compliance \(PDF\)](#)
[Product Specification PS-35184-001 \(PDF\)](#)

General

Product Family Crimp Terminals
 Series [35053](#)
 Crimp Quality Equipment Yes
 Product Name N/A

Physical

Gender Male
 Material - Metal Brass
 Material - Plating Mating Tin
 Material - Plating Termination Tin
 Packaging Type Reel
 Plating min: Mating (µin) 32.00
 Plating min: Mating (µm) 0.800
 Plating min: Termination (µin) 32.00
 Plating min: Termination (µm) 0.80
 Termination Interface: Style Crimp or Compression
 Wire Insulation Diameter 1.15-1.90mm (.045-.075")
 Wire Size AWG 22, 24, 26, 28
 Wire Size mm² N/A

Material Info

Reference - Drawing Numbers

Product Specification PS-35053-001, PS-35184-001, PS-35531-001
 Sales Drawing SD-35053-9002

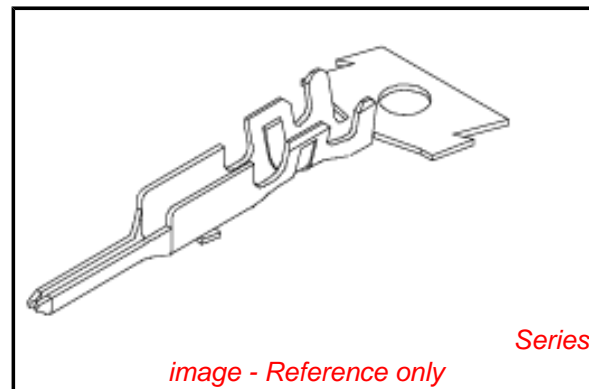


image - Reference only

EU RoHS

ELV and RoHS Compliant
REACH SVHC
Contains SVHC: No
Halogen-Free Status

China RoHS



Need more information on product environmental compliance?

Email productcompliance@molex.com
 For a multiple part number RoHS Certificate of Compliance, [click here](#)

Please visit the [Contact Us](#) section for any non-product compliance questions.

Search Parts in this Series

[35053Series](#)

Mates With

[5103](#) crimp terminal

Use With

[35184](#)

Application Tooling | FAQ

Tooling specifications and manuals are found by selecting the products below. Crimp Height Specifications are then contained in the Application Tooling Specification document.

Global

Description	Product #
Extraction Tool	0638132700
FineAdjust™ Applicator for 2.50mm (.098) Wire-to-Wire Male Crimp Terminal 22-28 AWG	0639007900

T2 Terminator 0639107900
Tooling Die for Wire-
to-Wire Male Crimp
Terminal, 22-28
AWG

This document was generated on 04/15/2010

PLEASE CHECK WWW.MOLEX.COM FOR LATEST PART INFORMATION

DO NOT SCALE DRAWING
DIMENSION IN METRIC

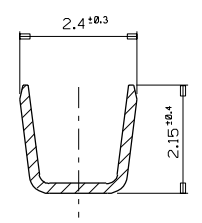
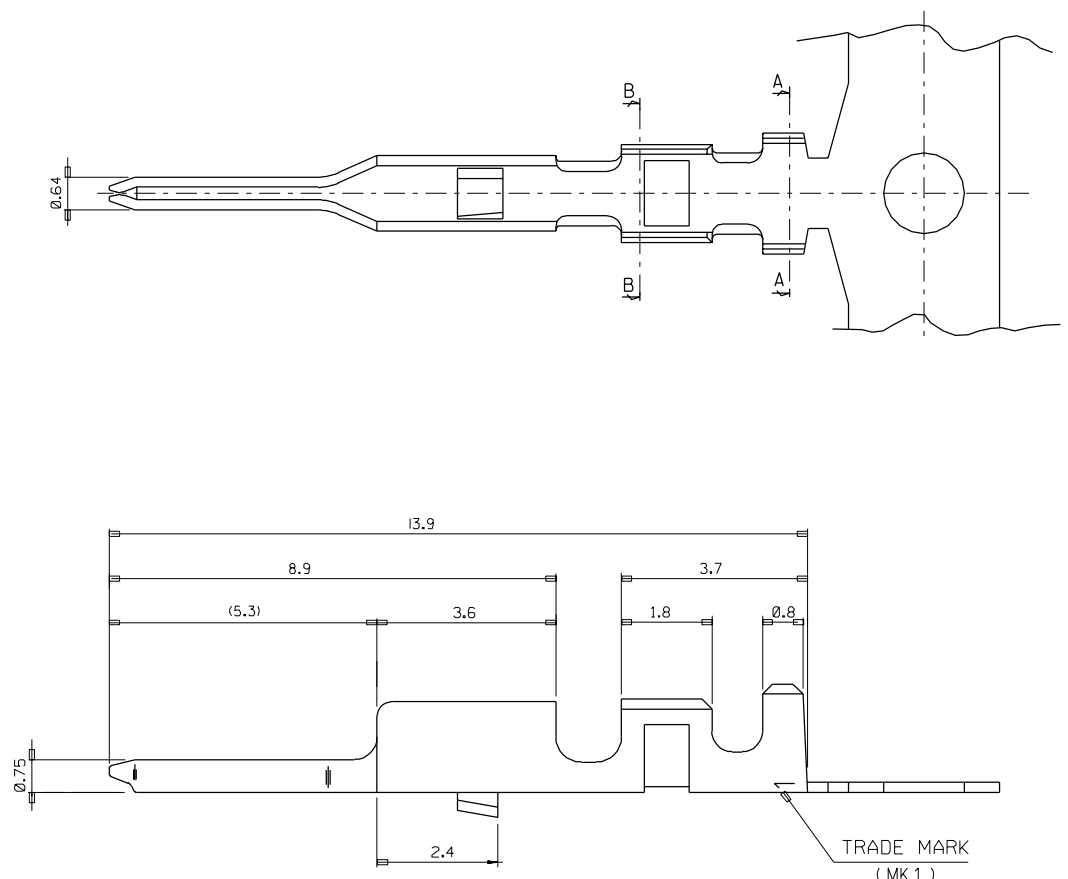
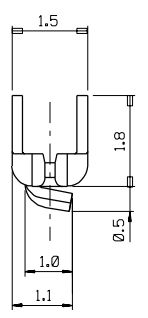
B

C

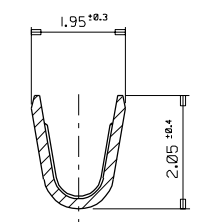
PROJECT NO.

SIMILAR ITEM

DWG. NO.
SD-35053-9002



SECT. A-A



SECT. B-B

NOTES

- MATED WITH FEMALE TERMINAL : 5103*
- USED WITH HOUSING : 35184-**00
- USED WIRE : AWG #22-#28
(STRIP LENGTH:2.3-2.9mm)
- BRASS(TIN PLATED)

REVISED EC NO. KOR1999-0121 DRWN: K.S.KIM(991027) CHK: J.K.OH APPR: C.W.LEE	QUALITY SYMBOLS MAJOR = CRITICAL =	GENERAL TOLERANCES: (UNLESS SPECIFIED)		SCALE 10/1	DESIGN UNITS <input checked="" type="checkbox"/> mm <input type="checkbox"/> INCH	THIRD ANGLE PROJECTION 	DIMENSIONS: <input type="checkbox"/> mm <input type="checkbox"/> INCH <input checked="" type="checkbox"/> mm ONLY	SHT	REV
		4 PLACES ±0.1 ±.	3 PLACES ±0.1 ±.	2 PLACES ±0.1 ±.	1 PLACE ±0.3 ±.	DRAWN BY & DATE D.J.KIM 94/2/28		TITLE: 2.5 PITCH W/W CONN. TERMINAL	
D	DESCRIPTION	ANGULAR: ± 2 °		CHECKED BY & DATE J.K.OH		MOLEX INCORPORATED KOREA			
		DRAFT WHERE APPLICABLE MUST REMAIN WITHIN DIMENSIONS		APPROVED BY & DATE C.W.LEE		CAD FILENAME SD35053.DGN	MATERIAL NO. 350539002	DRAWING NO. SD-35053-9002	SHEET NO. 1 OF 1
THIS DRAWING CONTAINS INFORMATION THAT IS PROPRIETARY TO MOLEX INCORPORATED AND SHOULD NOT BE USED WITHOUT WRITTEN PERMISSION.					MX-A3				

SD35053.DGN